



SCREWSUCKER™

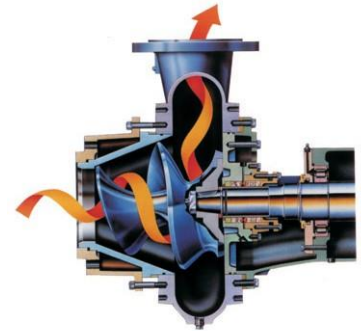
PUMPING BY APSCO

Model 150H, Dry Running, Self-Priming, Solids Handling Diesel Engine Pump System



System Features

- Large Pumping Capacity
- Low Engine Power-Rating.
- Continuous Run Time under Idle Conditions.
- Dry-Priming down to 28 feet.
- Quick Pumpset Priming
- Large Suction Height Capacity.
- The Vacuum System is capable of handling up to 59 cfm
- Electronically controlled vacuum system.
- Unscreened raw sewage water handling.
- Viscous liquids handling.
- Clog-resistant Impeller and Liner
- Impeller has large free passage of 4".
- Externally adjustable Wear Liner.
- Electronic Control Panel
- Automatic Start/Stop System (Level Switching).
- Tandem oil bathed mechanical shaft seals (sic/sic and carbon/ceramic).
- Locking Galvanized-Steel Sheet Canopy Doors
- Double-Contained Bottom w/Oil/Water Separator



Applications:

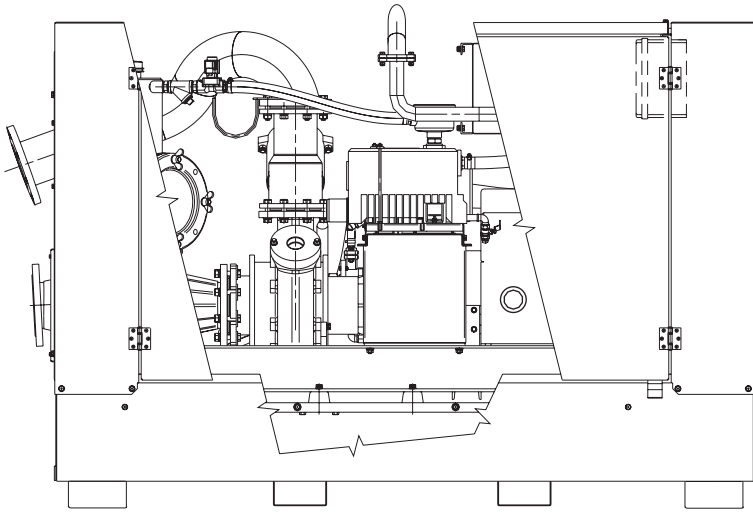
- Sewage Bypass.
- Construction-Site Dewatering
- Well-Point and Sock Dewatering
- Bentonite/Slurry and Sludge Pumping.
- Emergency Pump Station.
- Surface Water Diversion
- Digester Pumping

Technical Specifications:

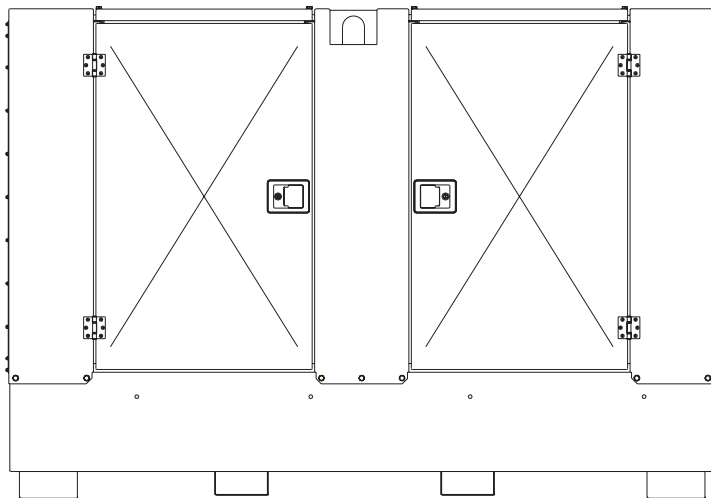
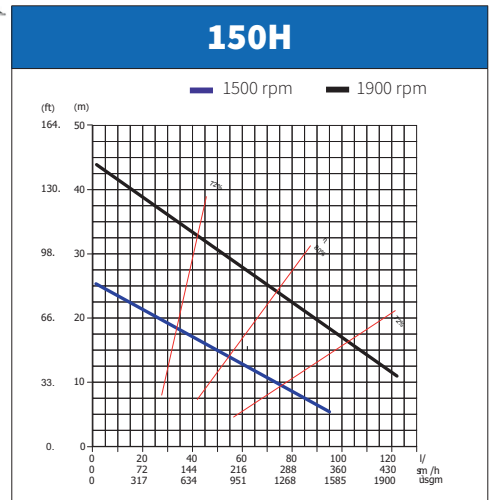
Discharge and suction connections.....	Flange – 6" PN10, DN150
Capacity (maximum at 1800 RPM).....	1670GPM.
Head (maximum at 1800 RPM).....	131 Feet.
Pump type and manufacture.....	E125-H01 or E125-H03R / Hidrostal Centrifugal Screw.
Engine type and make.....	Perkins 404D-22, Tier 4 Interim
Engine power rating.....	25HP at 1500 RPM. Maximum 26HP at 1800
Engine starting system.....	12 Volt, manual/ automatic level switching and engine protection system.
Diesel Fuel-Tank Capacity.....	90 gallons sufficient for 60 hours continuous running at max load.
Acoustic canopy.....	Noise emissions reduced to 58 dB(A) at 23 Feet distance.
Weight.....	Approximately 4189lbs



SCREWSUCKER™

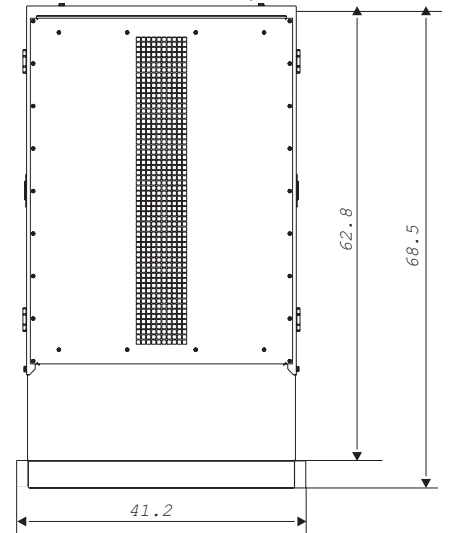
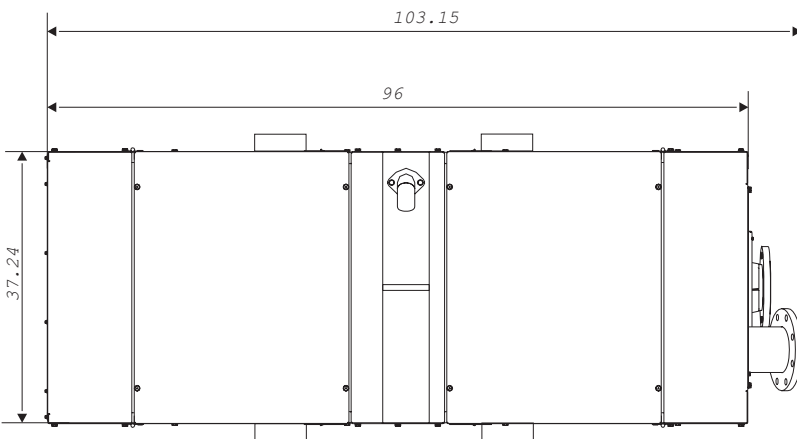
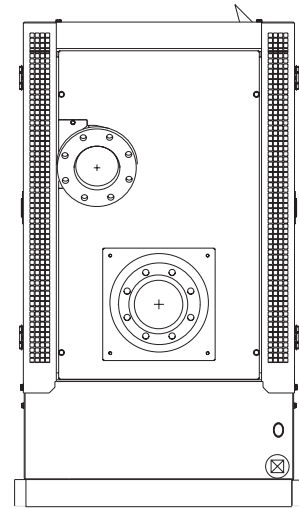


Dimensions are in inches.
Dimensions, configuration and weight can be changed or vary without notice.
Discharge & suction connections are 6" 125 LB ANSI
Drawing is not to scale.



Discharge

Suction



APSCO

Pumping Services

APSCO, LLC

PO Box 2639 • Kirkland, WA 98083-2639

PH: (425) 822-3335 • FAX: (425) 827-6171

EMAIL: apSCO@apSCO-llc.com