



# SCREWSUCKER™

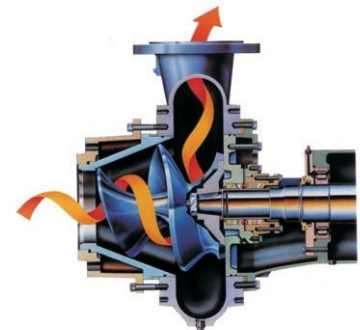
## PUMPING BY APSCO

### Model 150SH, Dry Running, Self-Priming, Solids Handling Diesel Engine Pump System



#### System Features

- Large Pumping Capacity
- Low Engine Power-Rating.
- Continuous Run Time under Idle Conditions.
- Dry-Priming down to 28 feet.
- Quick Pumpset Priming
- Large Suction Height Capacity.
- The Vacuum System is capable of handling up to 59 cfm
- Electronically controlled vacuum system.
- Unscreened raw sewage water handling.
- Viscous liquids handling.
- Clog-resistant Impeller and Liner
- Impeller has large free passage of 3".
- Externally adjustable Wear Liner.
- Electronic Control Panel
- Automatic Start/Stop System (Level Switching).
- Tandem oil bathed mechanical shaft seals (sic/sic and carbon/ceramic).
- Locking Galvanized-Steel Sheet Canopy Doors
- Double-Contained Bottom w/Oil/Water Separator

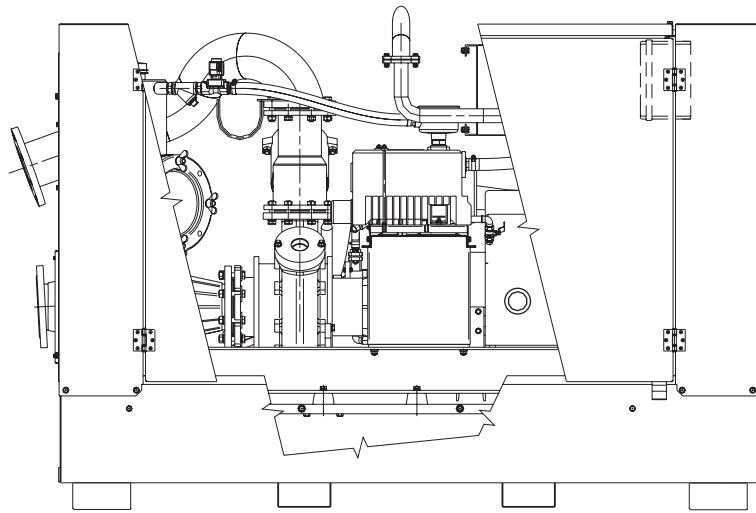


#### Applications:

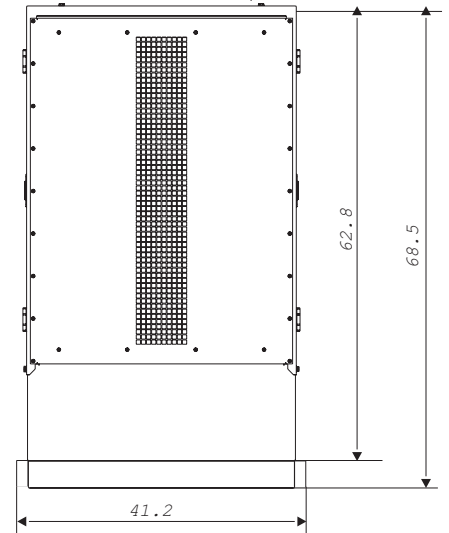
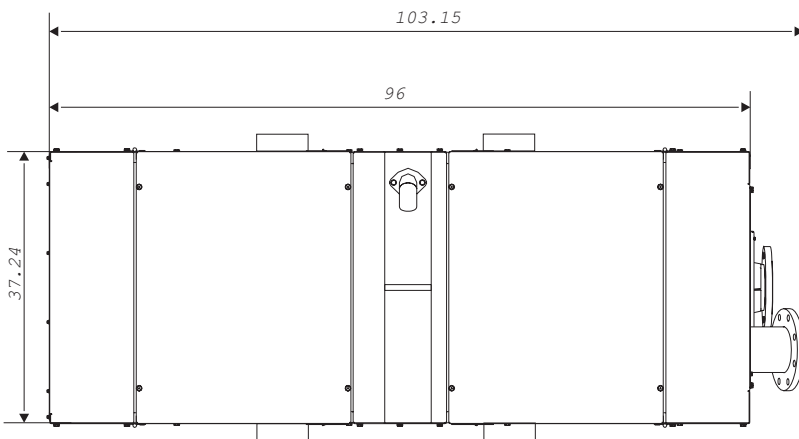
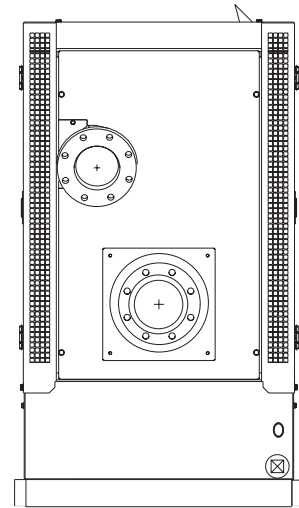
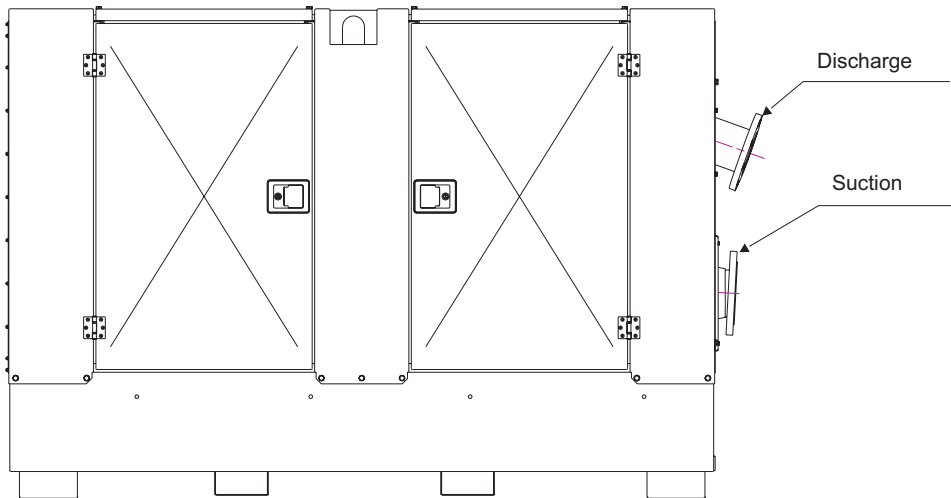
- Sewage Bypass.
- Construction-Site Dewatering
- Well-Point and Sock Dewatering
- Bentonite/Slurry and Sludge Pumping.
- Emergency Pump Station.
- Surface Water Diversion
- Digester Pumping

#### Technical Specifications:

Discharge and suction connections.....	Flange – 6" PN10, DN150
Capacity (maximum at 2400 RPM).....	1365GPM.
Head (maximum at 2400 RPM).....	233 Feet.
Pump type and manufacture.....	F04K-H01 or F04K-H03R / Hidrostat Centrifugal Screw.
Engine type and make.....	Perkins 404D-22, Tier 4 Interim
Engine power rating.....	33HP at 1800 RPM. Max 37HP at 2400rpm
Engine starting system.....	12 Volt, manual/ automatic level switching and engine protection system.
Diesel Fuel-Tank Capacity.....	132 gallons sufficient for 66 hours continuous running at max load.
Acoustic canopy.....	Noise emissions reduced to 67 dB(A) at 23 Feet distance.
Weight.....	Approximately 4189lbs



Dimensions are in inches.  
 Dimensions, configuration and weight can be  
 changed or vary without notice.  
 Discharge & suction connections are 6" 125 LB ANSI  
 Drawing is not to scale.



**APSCO, LLC**  
 PO Box 2639 • Kirkland, WA 98083-2639  
 PH: (425) 822-3335 • FAX: (425) 827-6171  
 EMAIL: [apsco@apsco-llc.com](mailto:apsco@apsco-llc.com)